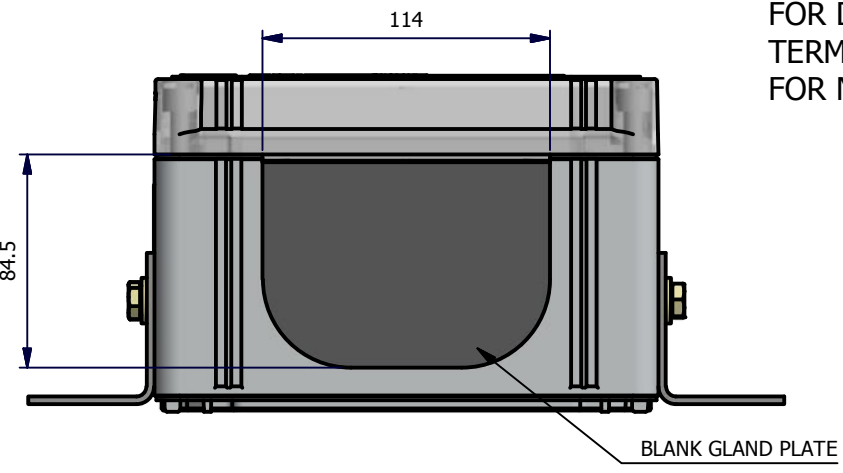
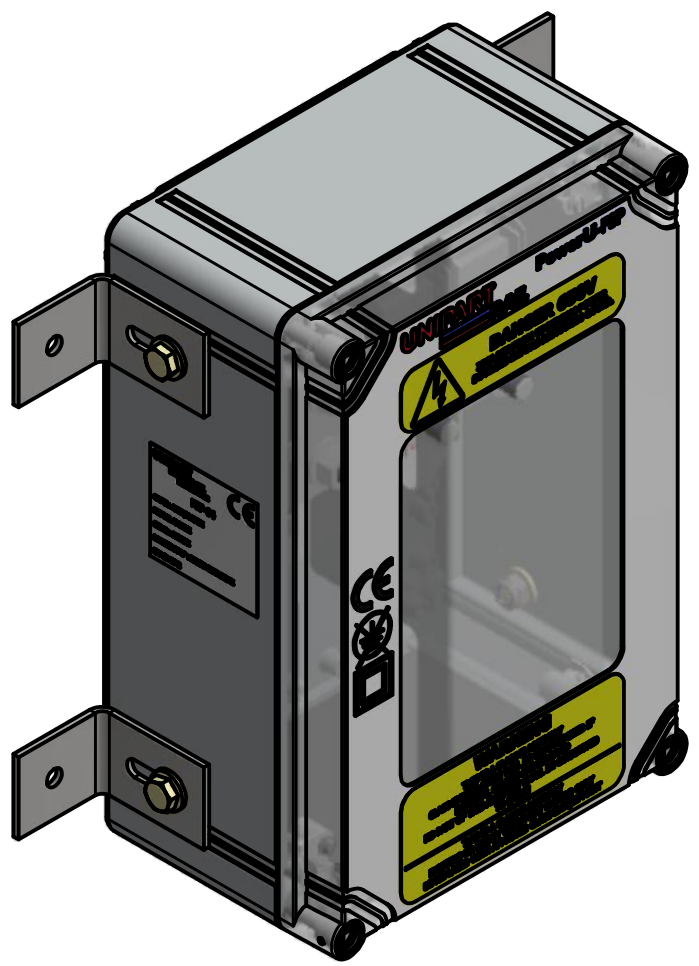
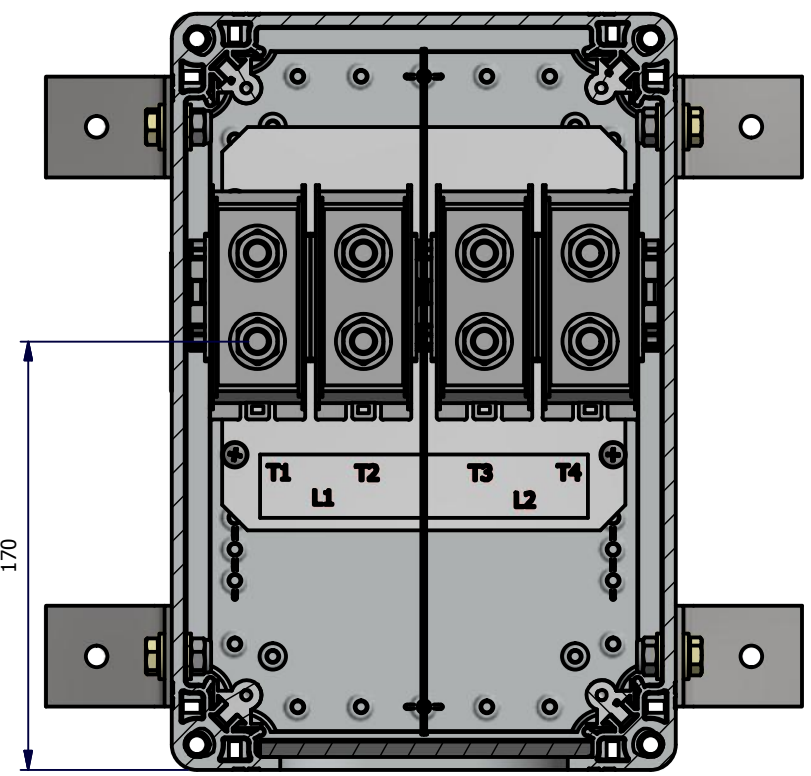


10 9 8 7 6 5 4 3 2 1

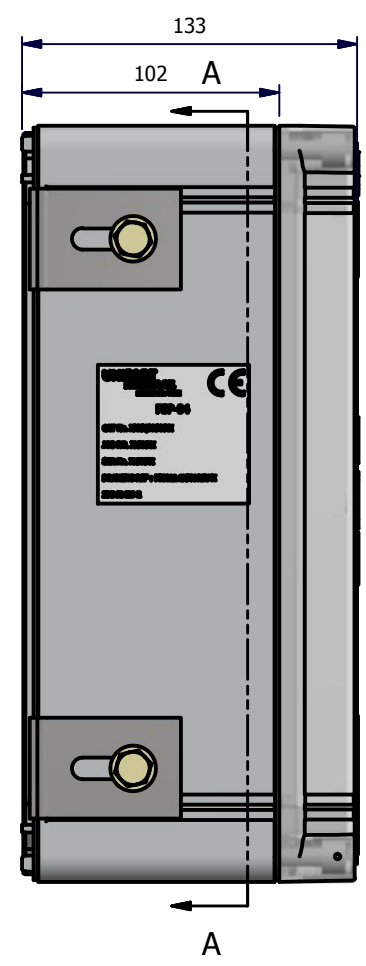
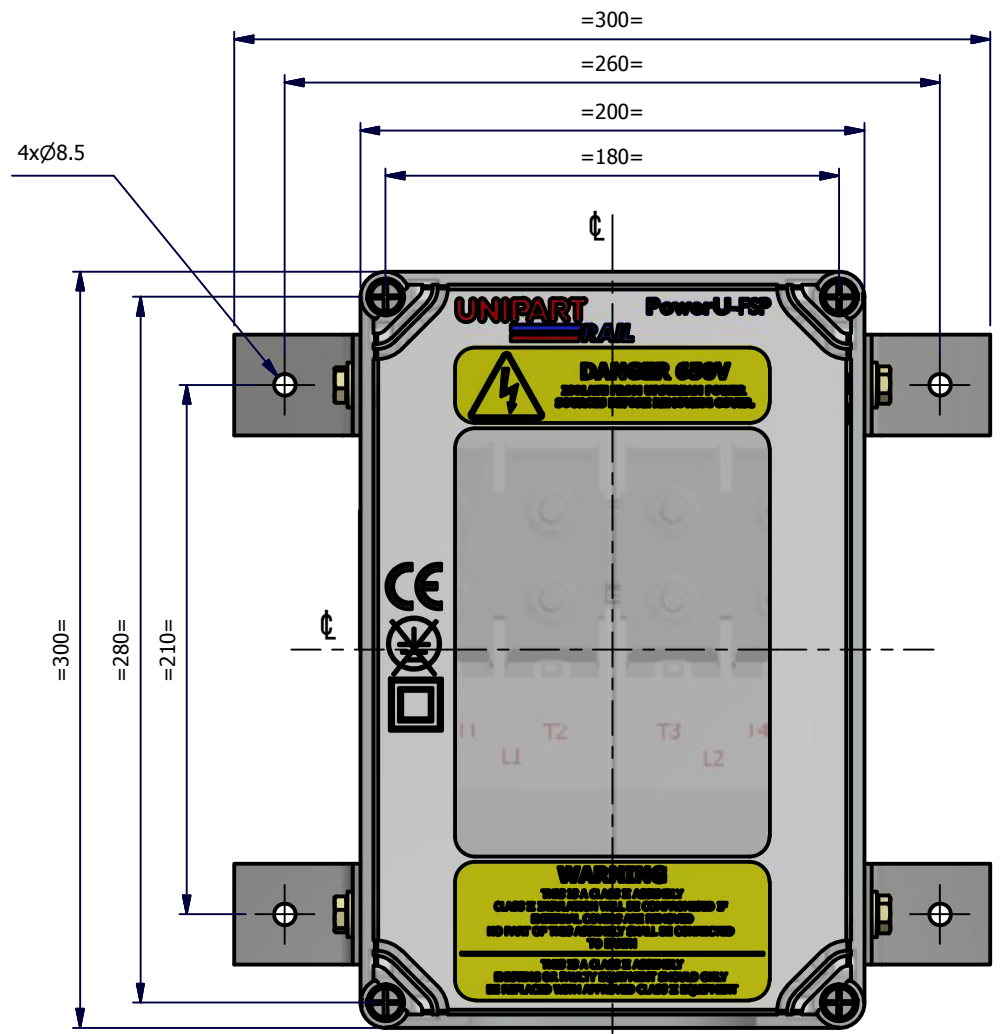
H G F E D C B A



TB4 TERMINAL BOX - 2C/4C 16-120mm²
 FOR DETAIL ASSEMBLY WITH BILL OF MATERIALS SEE DRG NO. PIC122-2030
 TERMINAL TYPE: STUD
 FOR NETWORK RAIL CATALOGUE NO.s REFER TO NR CERTIFICATE PA05/06332



SECTION A-A



UNLESS OTHERWISE STATED, THE TOLERANCE OF DIMENSIONS SHALL BE AS BELOW.

NOMINAL SIZE	OVER TO	0	6	30	120	400	1000
			6	30	120	400	1000
MACHINED		± 0.2	± 0.2	± 0.25	± 0.4	± 0.8	± 1.5
FABRICATED		± 0.5	± 0.5	± 0.5	± 1.0	± 1.0	± 2.0

UNLESS OTHERWISE STATED,
 SCREW THREADS ARE TO BE BS3643 CLASS 6H/6g.
 SHARP EDGES TO BE REMOVED.
 DIMENSIONS ARE IN MILLIMETRES.
 DRAWING PRACTICE GENERALLY TO BS8888.

UNCONTROLLED

DRAWN BY: P. Hall	DATE: 21/08/2018	CHECKED: DATE:	APPROVED: DATE:
TITLE: FSP04-TB4 GENERAL ASSEMBLY			
PROJECT REF: PIC122	PADS/STOCK NO: 0050/606509	DRAWING NO: PIC122-1030	REV. SHEET A 1/1

REV	ZONE	DESCRIPTION	QUERY I.D.	DATE	AUTHOR
A	N/A	NEW DRAWING	N/A	21/08/2018	P. Hall

REVISION HISTORY

PROJECTION DO NOT SCALE IF IN DOUBT, ASK

THIS DRAWING AND ANY INFORMATION OR DESCRIPTIVE MATTER SET OUT HEREON, ARE THE CONFIDENTIAL PROPERTY OF UNIPART RAIL LIMITED, AND MUST NOT BE LOANED, COPIED OR USED FOR MANUFACTURING, TENDERING OR ANY OTHER PURPOSE WITHOUT THEIR WRITTEN PERMISSION.
 COPYRIGHT © 2018 UNIPART RAIL LIMITED

SHEET SIZE:
A3

10 9 8 7 6 5 4 3 2 1